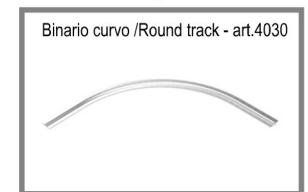
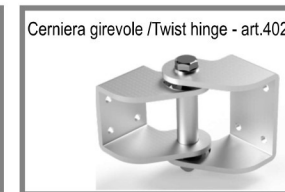
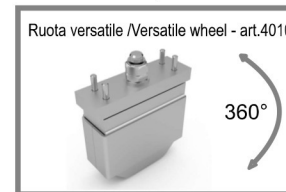
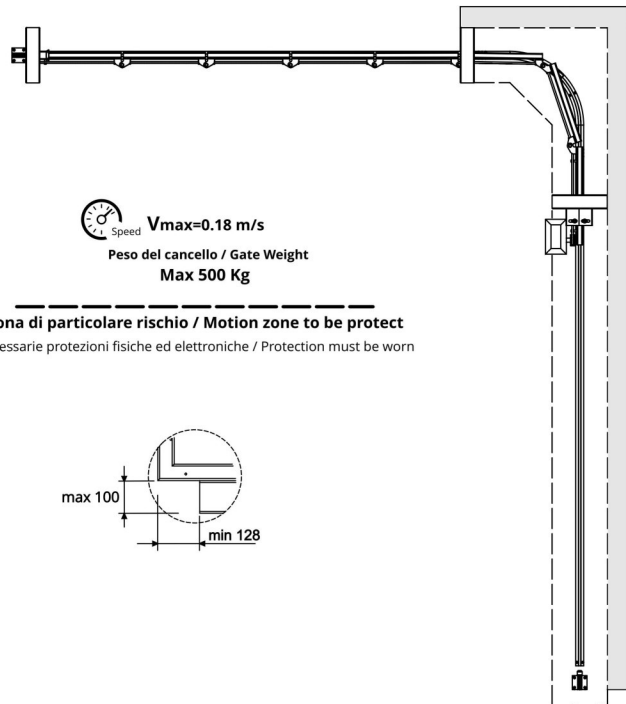
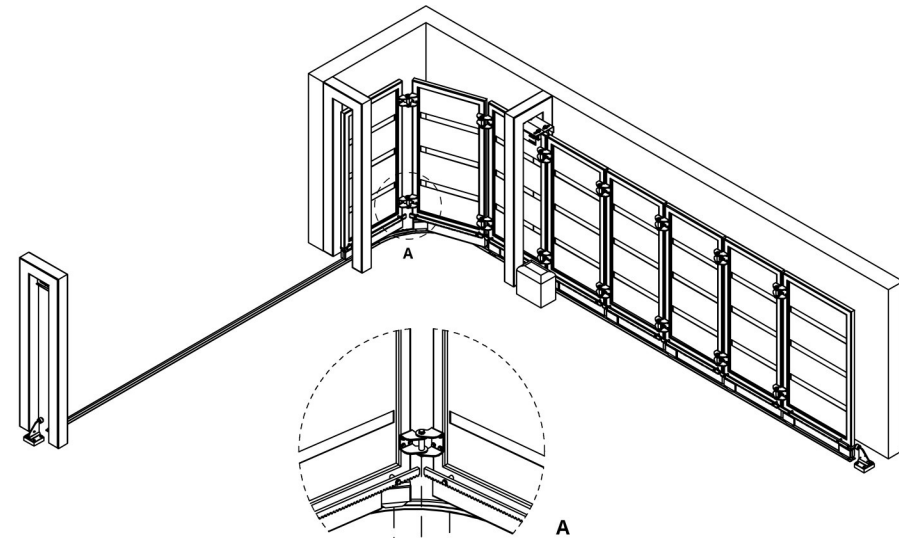
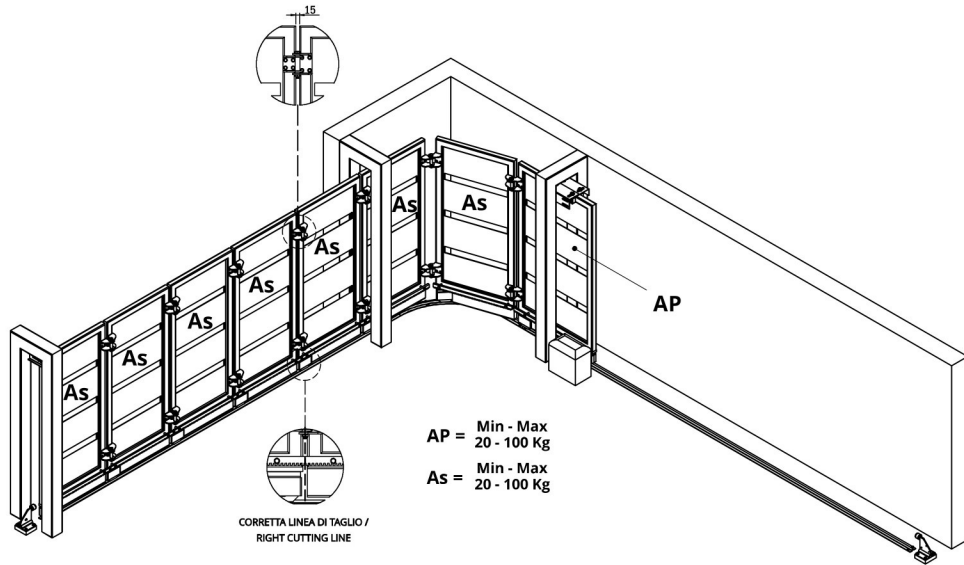




**SYSTEM**  
**4000**

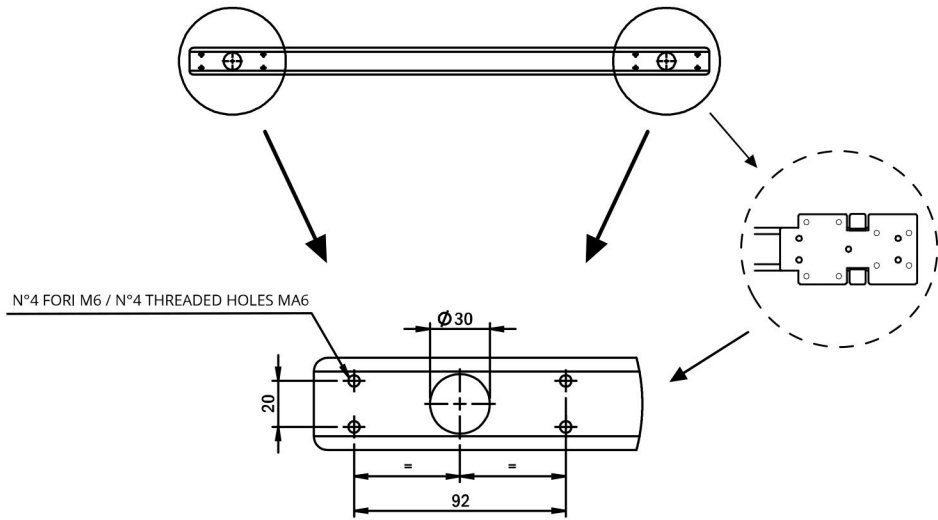
**ECTRO**  
**OFFSIDE**



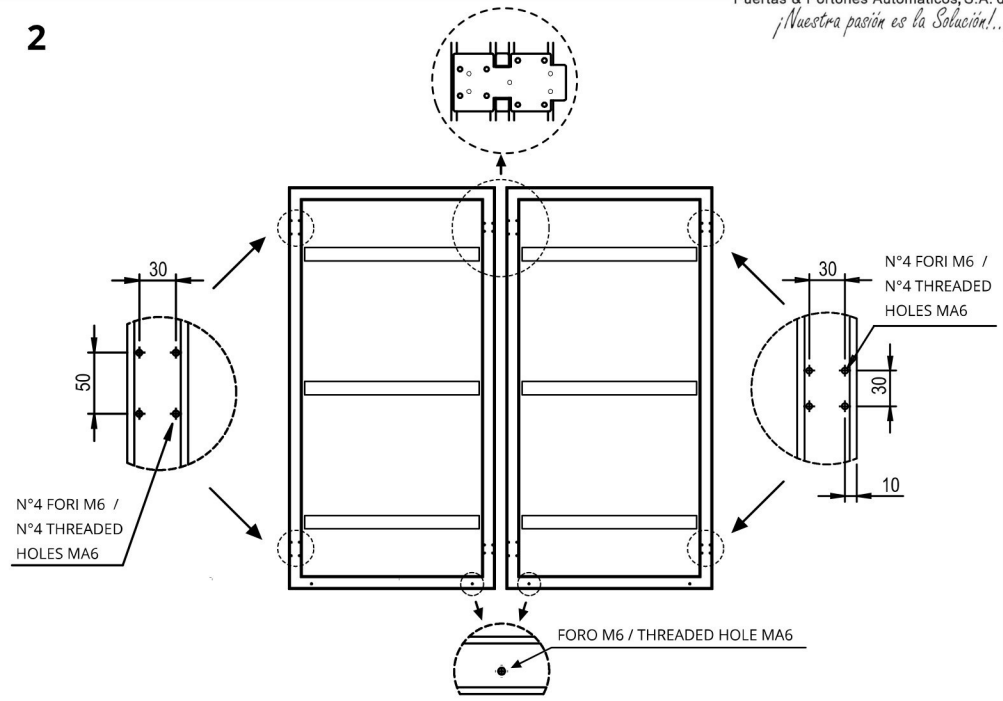
V02.25



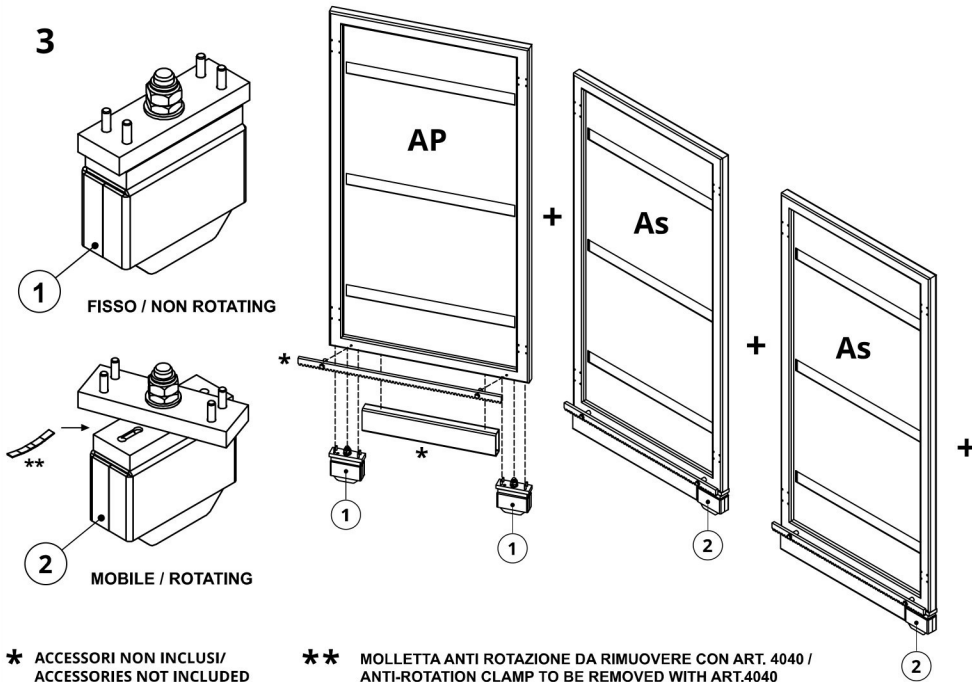
1



2



3



\* ACCESSORI NON INCLUSI / ACCESSORIES NOT INCLUDED  
\*\* MOLLETTA ANTI ROTAZIONE DA RIMUOVERE CON ART. 4040 / ANTI-ROTATION CLAMP TO BE REMOVED WITH ART.4040

4

